

SIGN	DATE	DESCRIPTION	APPROVER
Δ	9.22	Standard spec is changed.	
Δ			
Δ			

Technical Data:

Material:

- Δ Contact(metal housing): Zinc Die Casting or Brass Machined(option)
- Terminal screw: Steel galvanized and achromatized or Nickel plated or Tin plated(standard)(option)
- Solder Pin: Brass with Tin plated
- Insulator body(housing): Polyamide(Glass filled)(UL94V-0)

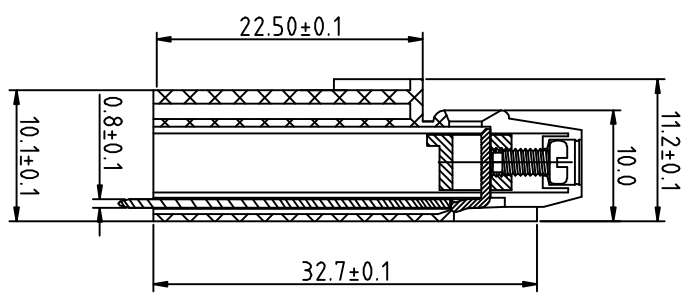
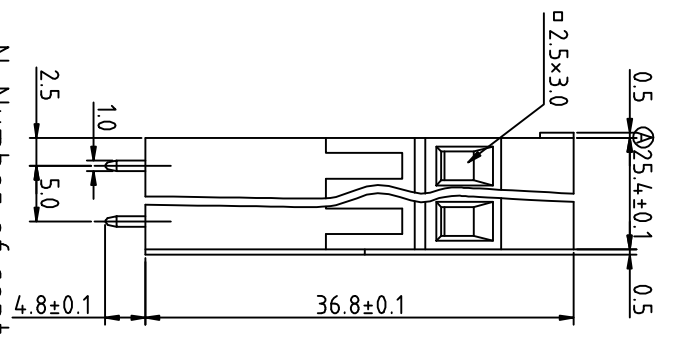
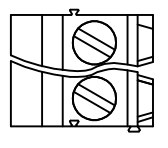
Electrical

- Voltage rating: 300VAC
- Current rating: 15 Amps/way max
- Contact resistance: 20mΩ(max)
- Insulation resistance: 5000MΩ/1000V
- Withstanding Voltage: 2000VAC(1min) Test time=60sec/1pcs
- Wire range: 12-24AWG

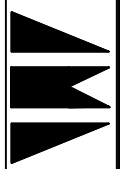
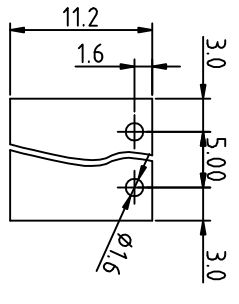
Mechanical:

- Torque: 4kgf.cm/M2.5
- Operating temperature: -33°C to +120°C
- Soldering reliability:
Test temperature= 250°C±10°C
5 seconds max

POLE	SP	
A	NX5.00	25.00
B	(N-1) X5.00	20.00



N=Number of contacts
P.C.B LAYOUT



杰科电子有限公司
JIE KE ELECTRONICS CO., LTD.

PART NAME: JK128HH-500-3P

TITLE:

PART NO.:

DWG NAME:

APPROVED BY

CHECKED BY

DESIGNED BY

DRAWN BY

CUSTOM NO.:

UNITS: mm
SCALE: 2/1
REVISION: B2

Tolerance
x. ±0.50
xx ±0.30
xxx ±0.10
xxx ±1°

