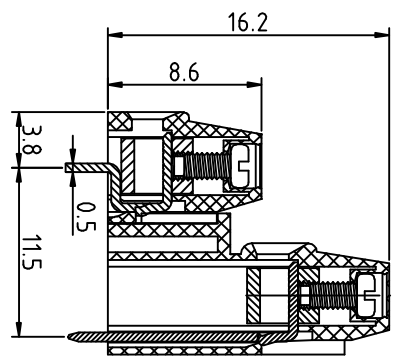
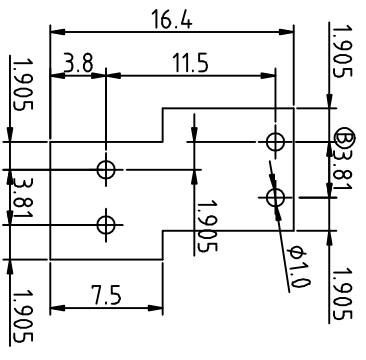


N=Number of contacts  
P.C.B LAYOUT



SIGN	DATE	DESCRIPTION	APPROVER

Technical Data:

Material:

- Contact/metal housing: Brass Machined.
- Terminal screw: Steel galvanized and achromatized.
- Solder Pin: Brass with Tin plated
- Insulator/body(housing): Polyamide(Glass filled)(UL94V-0)

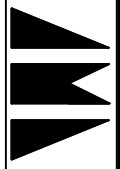
Electrical

- Voltage rating: 300VAC
- Current rating: 10 Amps./way max
- Contact resistance: 20m $\Omega$ (max)
- Insulation resistance: 5000M $\Omega$ /1000V
- Withstanding Voltage: 2000VAC(1min) Test time=60sec./pccs
- Wire range: 16-24AWG

Mechanical:

- Torque: 4kgf.cm/M2
- Operating temperature: -33 $^{\circ}$ C to +120 $^{\circ}$ C
- Soldering reliability:  
Test temperature= 250 $^{\circ}$ C $\pm$ 10 $^{\circ}$ C  
5 seconds max

POLE	2P		
A	NX3.81	7.62	
B	(N-1) X3.81	3.81	



**杰科电子有限公司**  
JIE KE ELECTRONICS CO., LTD.

PART NAME: JK125A-381 2P

TITLE:

PART NO.:

DWG NAME:

APPROVED BY

CHECKED BY

DESIGNED BY

DRAWN BY

CUSTOM NO.:

UNITS:

Tolerance

孙学峰

杨丽霞

杨丽霞

杨丽霞

SCALE: 2:1

REVISION: B3

X ±0.50  
XX ±0.30  
XXX ±0.10  
X° ±1°

