

SIGN	DATE	DESCRIPTION	APPROVER
Δ	5.16	Engineering drawing No. is changed.	
▲			

Technical Data:

Material:


- Contact(metal housing): Brass (CuZn)
- Terminal screw: Steel galvanized and chromatinze or Nickel plated or Tin plated(standard)(optian)
- Wire guard: Stainless steel
- Surface of solder tail: tin plated
- Insulator body(housing): Polyamide(Glass filled)(UL94V-0)

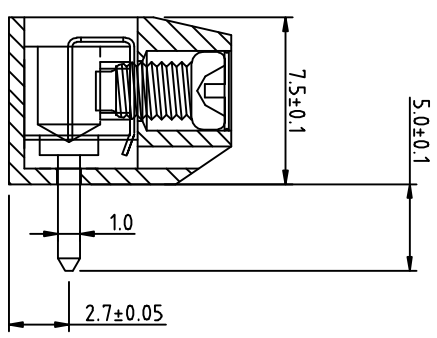
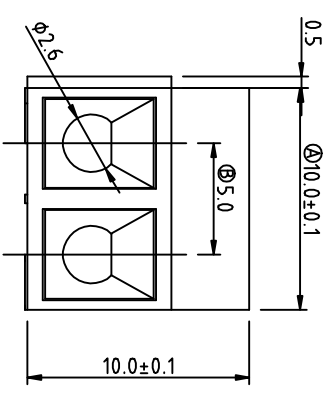
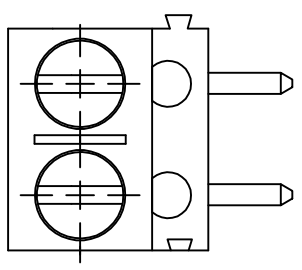
Electrical

- Voltage rating: 250VAC
- Current rating: 15 Amps/way max
- Contact resistance: 20mΩ(max)
- Insulation resistance: 5000MΩ/1000V
- Withstanding Voltage: 1500VAC(lim) Test time=60sec/1pcs
- Wire range: 14-22AWG

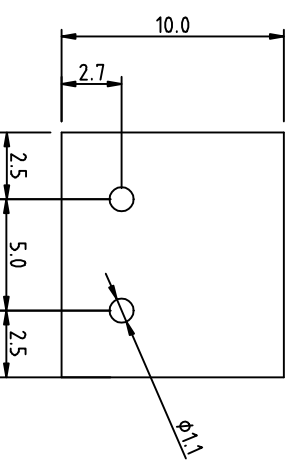
Mechanical:

- Torque: 4kg-cm/M3
- Operating temperature: -33°C to +120°C
- Soldering ability: 95%coverage(lim)
- Test temperature= 230°C±10°C
- Test time= 4sec±0.5sec
- Soldering reliability:
  - Test temperature= 250°C±10°C
  - 5 seconds max

Safety approval deta: 



POLE	2P	
A	NX5.0	10.0
B	(N-1) X5.0	5.0



**杰科电子有限公司**  
JIE KE ELECTRONICS CO., LTD.

PART NAME: JK30R-500 2P

TITLE:

PART NO.:

DWG NAME:

APPROVED BY

CHECKED BY

DESIGNED BY

DRAWN BY

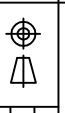
CUSTOM NO.:

UNITS: mm

Tolerance

**安杰**

**孙学丰**



SCALE: 4/1  
REVISION: B2

x ±0.50  
x.x ±0.30  
x.xx ±0.10  
xx° ±1°

