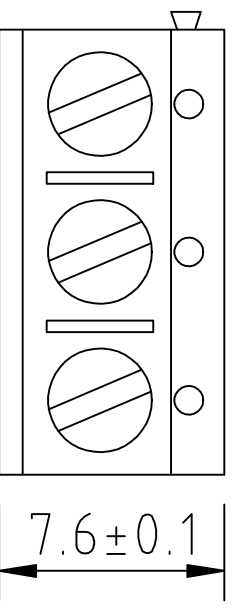


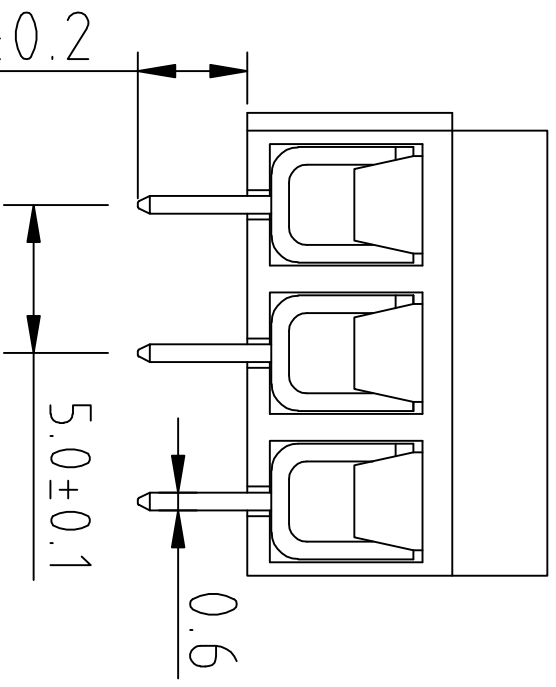
SIGN	DATE	DESCRIPTION	APPROVER



15.0 ± 0.1

7.6 ± 0.1

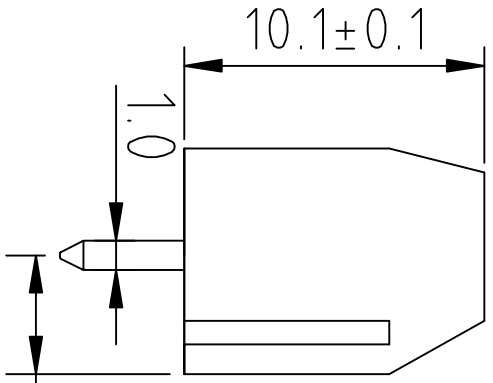
- Technical Data:
- Material:
 - Contact(metal housing): Brass Machined.
 - Terminal screw: Steel galvanized and achromatized.
 - Solder Pin: Brass with Tin plated
- Electrical
- Voltage rating: 250VAC
 - Current rating: 15 Amps/way max
 - Contact resistance: 20mΩ(max)
 - Insulation resistance: 5000MΩ/1000V
 - Withstanding Voltage: 2000VAC(1min) Test time=60sec/1pcs
 - Wire range: 14-22AWG
- Mechanical:
- Torque: 4kgf.cm/M2.5



3.7 ± 0.2

5.0 ± 0.1

0.6



10.1 ± 0.1

1.0

4.3 ± 0.2



杰科电子有限公司
JIE KE ELECTRONICS CO., LTD.

PART NAME: JK306-5-00-3P

TITLE:

PART NO.:

DWG NAME:

APPROVED BY

CHECKED BY

DESIGNED BY

DRAWN BY

CUSTOM NO.:

UNITS:

SCALE: 2:1

REVISION: B3

Tolerance

孙学峰

孙学峰



X ±0.50
XX ±0.30
XXX ±0.10
X° ±1°

