

SIGN	DATE	DESCRIPTION	APPROVER
△	5/16	Engineering drawing No. is changed.	
△			

Technical Data:

Material:

- Contact(metal housing): Brass (CuZn)
- Terminal screw: Steel galvanized and chromitize or Nickel plated or Tin plated(standard)(option)
- Wire guard: Stainless steel
- Surface of solder tail: tin plated
- Insulator body(housing): Polyamid(Glass filled)(UL94V-0)

Electrical

- Voltage rating: 250VAC
- Current rating: 16 Amps/way max
- Contact resistance: 20mΩ(max)
- Insulation resistance: 5000MΩ/1000V
- Withstanding Voltage: 1500VAC(lim) Test time=60sec/1pcs
- Wire range: 14-22AWG

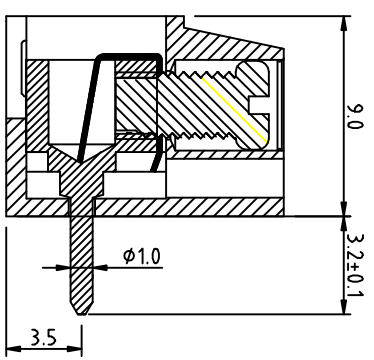
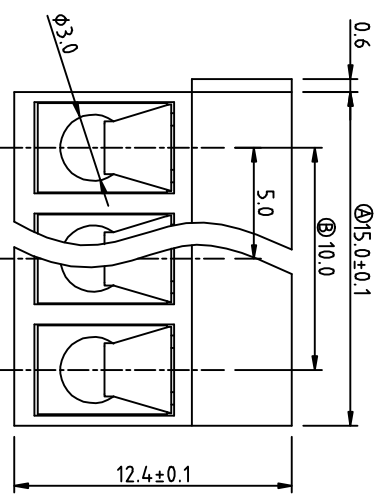
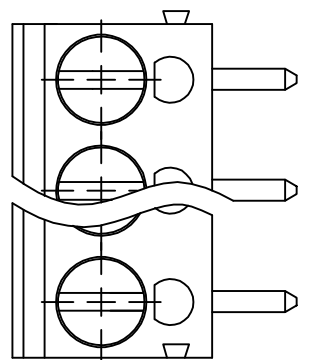
Mechanical:

- Torque: 4kg-cm/M3
- Operating temperature: -33°C to +120°C
- Soldering ability: 95%coverage(lin)
- Test temperature= 230°C±10°C
- Test time= 4sec±0.5sec

Soldering reliability:

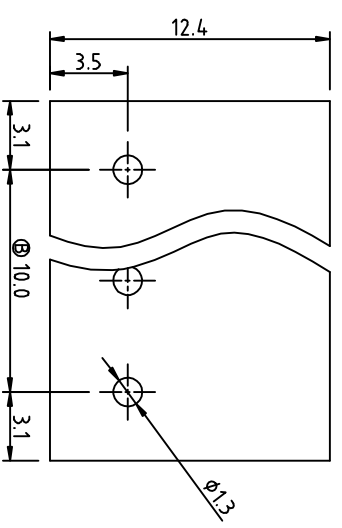
- Test temperature= 250°C±10°C
- 5 seconds max

Safety approval detra:




N=Number of contacts

P.C.B. LAYOUT



POLE	3P	
A	NX5.0	15.0
B	(N-1) X5.0	10.0



杰科电子有限公司

JIE KE ELECTRONICS CO., LTD.

PART NAME: JK300R-500 2P-30P		TITLE:	
PART. NO.:		DWG NAME:	
APPROVED BY	CHECKED BY	DESIGNED BY	DRAWN BY
孙学峰	杨丽霞	杨丽霞	杨丽霞
CUSTOM NO.:		UNITS: mm	
		SCALE: 4/1	
		REVISION: B2	
		Tolerance	
		x: ±0.50	
		x.x: ±0.30	
		x.xx: ±0.10	
		xx° ±1°	