

SIGN	DATE	DESCRIPTION	APPROVER
△			
△			
△			

Technical Data:

Material:


- Contact(metal housing): Brass Stamping
- Terminal screw: Steel galvanized and chromitized or Nickel plated or Tin plated (standard) (option)
- Wire guard: Copper Alloy
- Surface of solder tail: Tin plated
- Insulator body(housing): Polyamide(Glass filled)(UL94V-0)

Electrical

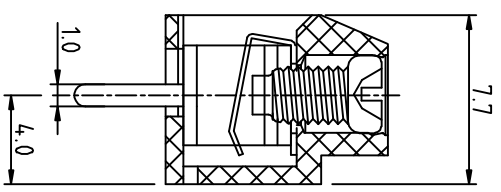
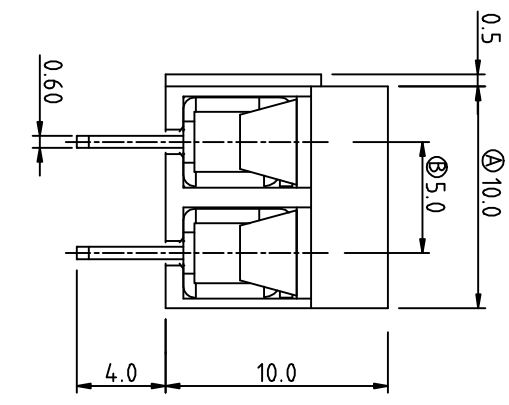
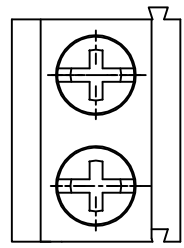
- Voltage rating: 300VAC
- Current rating: 10 Amps/way max
- Contact resistance: 20mΩ (max)
- Insulation resistance: 5000M Ω/1000V
- Withstanding Voltage: 1500VAC(1min) Test time=60sec/1pcs
- Wire range: 14-26AWG

Mechanical:

- Torque: 4kgf.cm/M2.5
- Operating temperature: -33 C to +120 C
- Soldering reliability: Test temperature= 250 C 10 C 5 seconds max

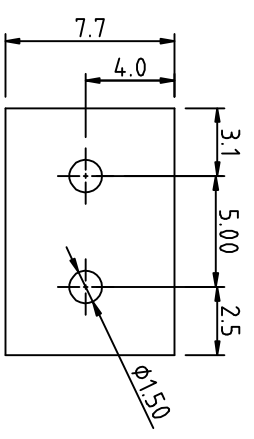
Safety approval deta: 


POLE	2P	
A	NX5.0	10.0
B	(N-1) X5.0	5.0



N=Number of contacts

P.C.B. LAYOUT



 <p><b>杰科电子有限公司</b> JIE KE ELECTRONICS CO., LTD.</p>		PART NAME: JK126 5.00mm 2P		TITLE:	
		PART NO.:		DWG NAME:	
APPROVED BY	CHECKED BY	DESIGNED BY	DRAWN BY	CUSTOM NO.:	UNITS: mm SCALE: 4/1 REVISION: B1
<b>岑杰</b>		<b>孙学丰</b>			
			Tolerance		
			X: ±0.50		
			X.X: ±0.30		
			X.XX: ±0.10		
			XX: ±1°		