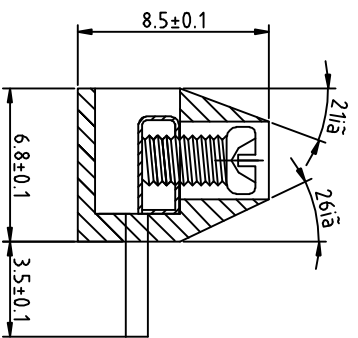
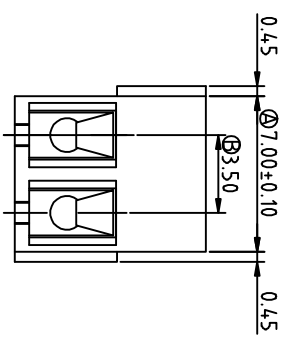
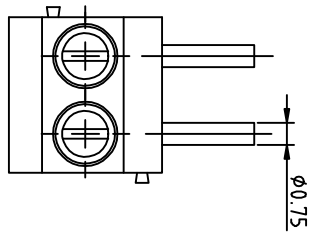


SIGN	DATE	DESCRIPTION	APPROVER



POLE	2P	
A	NX3.5	7.0
B	(N-1) X3.5	3.5

Technical Data:

Material:

- Contact(metal housing): Brass (CuZn)
- Terminal screw: Steel galvanized and chromitize or Nickel plated or Tin plated(standard)(option)
- Wire guard: Stainless steel
- Surface of solder tail: tin plated
- Insulator body(housing): Polyimide(Glass filled)(UL 94V-0)

Electrical

- Voltage rating: 125VAC
- Current rating: 10 Amps/way max
- Contact resistance: 20mΩ (max)
- Insulation resistance: 5000MΩ /1000V
- Withstanding Voltage: 2000VAC(1min) Test time=60sec/1pcs
- Wire range: 16-26AWG

Mechanical:

- Torque: 4kg-cm/M2.0
- Operating temperature: -33°C to +120°C
- Soldering ability: 95%coverage(min)
- Test temperature= 230°C±10°C
- Test time= 4sec±0.5sec

Soldering reliability:

Test temperature= 250°C±10°C

5 seconds max

Safety approval deta:



杰科电子有限公司  
JIE KE ELECTRONICS CO., LTD.

PART. NAME: JK350R-350 2P

TITLE:

PART. NO.:

DWG NAME:

APPROVED BY

CHECKED BY

DESIGNED BY

DRAWN BY

CUSTOM NO.:

UNITS: mm

Tolerance

孙学峰

杨丽霞

杨丽霞

杨丽霞

SCALE: 4/1

REVISION: A2

X: ±0.50  
X.X: ±0.30  
X.XX: ±0.10  
XX: ±1°

